



General

SOHT Series lighting box is in line with IEC-493-1 standard, attractive and durable, safe and reliable, which is widely used in various places such as factory, mansion, residence, shopping center and so on.

Structural Characteristics

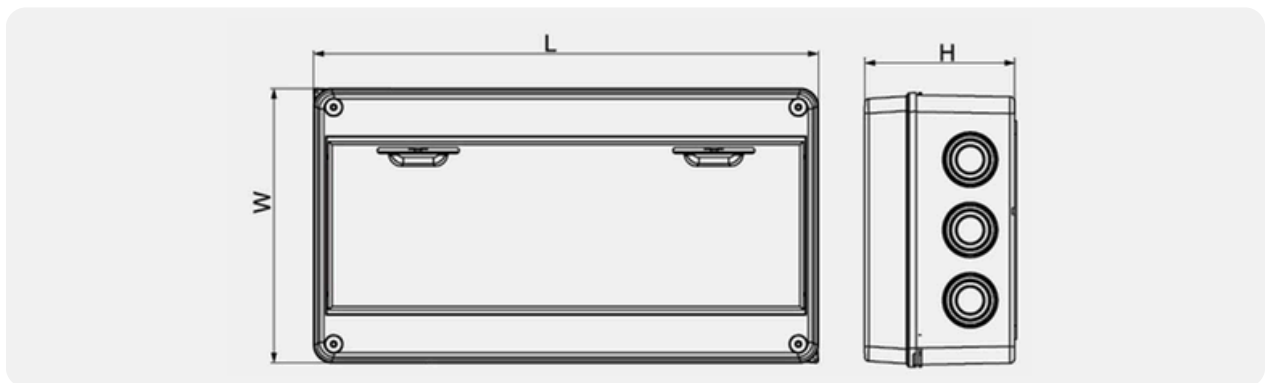
- Panel is the ABS material for the engineering, high strength, never change the color, the transparent material is PC
- Cover push - type opening and closing Face covering of the distribution box adopts the push - type opening and closing mode, the face mask can be opened by pressing slightly, the self - locking positioning hinge structure is provided when opening
- Wiring design of the power distribution box The guide rail support plate can be lifted to the highest movable point, it is no longer by the narrow space when installing the wire. To install easily, the switch of the distribution box is set up with the wire groove and wire pipe exit - holes, which are easy to use for a variety of wire grooves and wire pipes

Technical specifications

Standard	IEC60439 - 3 / IEC61000
Approval	CE, RoHS, HF test, IK test, ISO9001
Protection grade	IP65
Color of base	Gray
Color of Door	Transparent
Mounting Type	Surface
Material	box shell: ABS; Door:PC; Zero bar/earth bar:copper
Fire resistance	650°C/30s
Ambient temperature (°C)	-5~+40, 50% humidity permitted under max +40°C
Storage temperature (°C)	-40~+ 75



Dimensions



Model	Code	Product's Size (mm)			No. of breaker (pole)	Net Weight (Kg).
		L (mm)	W(mm)	H (mm)		
SOHT-3	9103	80	160	95	3	0.3
SOHT-5	9105	115	155	90	5	0.34
SOHT-8	9108	195	150	90	8	0.53
SOHT-12	9112	250	195	110	12	0.84
SOHT-15	9118	305	195	110	15	0.9